



Finesse™ Peak®

Headerless frameless pivot shower door
5698-36

Features

- Heavy 1/4" (6 mm) glass for strength and stability.
- CleanCoat®+ glass coating creates a hydrophobic barrier that repels water, soap scum, and residue, saving time and protecting shower doors 10 times longer than original CleanCoat. (Based on 2021 internal wear/abrasion testing using a microfiber cloth.)
- Tempered glass ensures enhanced safety and durability.

Installation

- Out-of-plumb adjustability simplifies installation.
- Door can be installed to open to the left or right to suit your bathroom layout.
- Not for use in hospitality.
- For residential use only.

Included Components

Additional Components:
Hardware kit



Codes/Standards

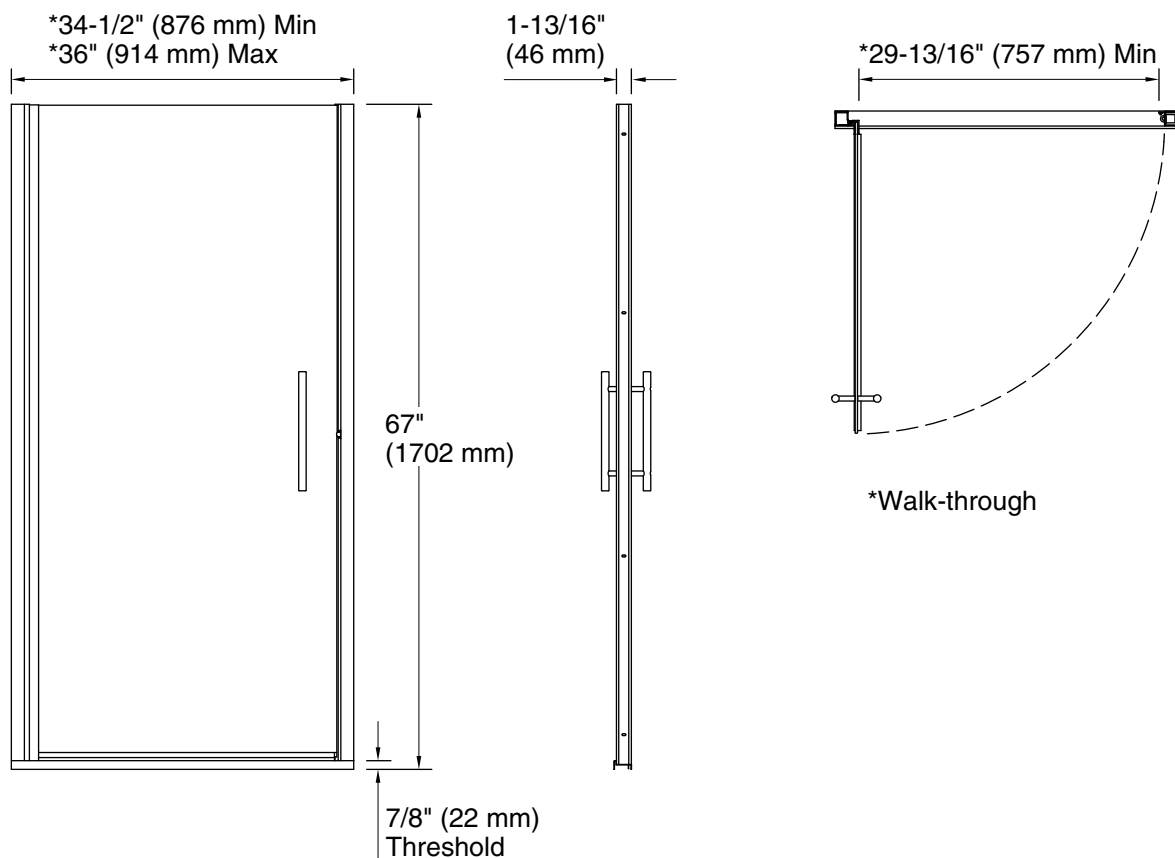
ANSI Z97.1
CPSC 16CFR 1201

STERLING® Warranty - Bath and Shower Doors

See website for detailed warranty information.

Available Glass Options

Code	Description
G05	Clear
G03	Frosted



Technical Information

All product dimensions are nominal.

Installation type: For shower base installation

Opening Width - $34\text{-}1/2"$ (876 mm)
Min:

Opening Width - $36"$ (914 mm)
Max:

Walk-through - Min: $29\text{-}13/16"$ (757 mm)

Base-To-Wall $1/2"$ (13 mm)
Radius - Max:

Glass thickness: $1/4"$ (6 mm)

Glass coating: CleanCoat®

Notes

Install this product according to the installation instructions.

The vertical opening should be a minimum of $67"$ (1702 mm) to allow for installation clearance.